

Roll No.

Total No. of Pages : 03

Total No. of Questions : 15

B.Tech. (ME) (2018 Batch) (Sem.-3)

MACHINE DRAWING

Subject Code : BTME-303-18

M.Code : 76419

Time : 3 Hrs.

Max. Marks : 60

INSTRUCTIONS TO CANDIDATES :

1. There are three sections in this question paper. Attempt ALL the questions from SECTION-A.
2. Attempt any TWO questions from SECTION-B and any ONE question from SECTION-C.

SECTION-A

Write briefly :

(2×10=20)

- Q1. What are multi start threads?
- Q2. Explain unilateral and bilateral tolerance.
- Q3. Write various types of riveted joints.
- Q4. What is advantage of providing bush in a bearing?
- Q5. Name various boilers mountings.
- Q6. What is the advantage of protected type flange coupling?
- Q7. Differentiate between allowance and tolerance.
- Q8. What are the functions of steam stop valve?
- Q9. Sketch the weld symbols to indicate weld all round.
- Q10. Give the classification of fits with symbols.

SECTION-B

- Q11. Represent two views of square nut with proportions and diameter of bolt as 30mm. (5)
- Q12. Draw simple sketch of flanged pipe joint. (5)
- Q13. Draw the free hand sectional front view and side view of knuckle joint. (5)

SECTION-C

Q14. Fig. 1 shows the details of a connecting rod. Draw to scale the following views of assembly: (a) Front view, right half in section (b) An outside side view (c) Top view (30)

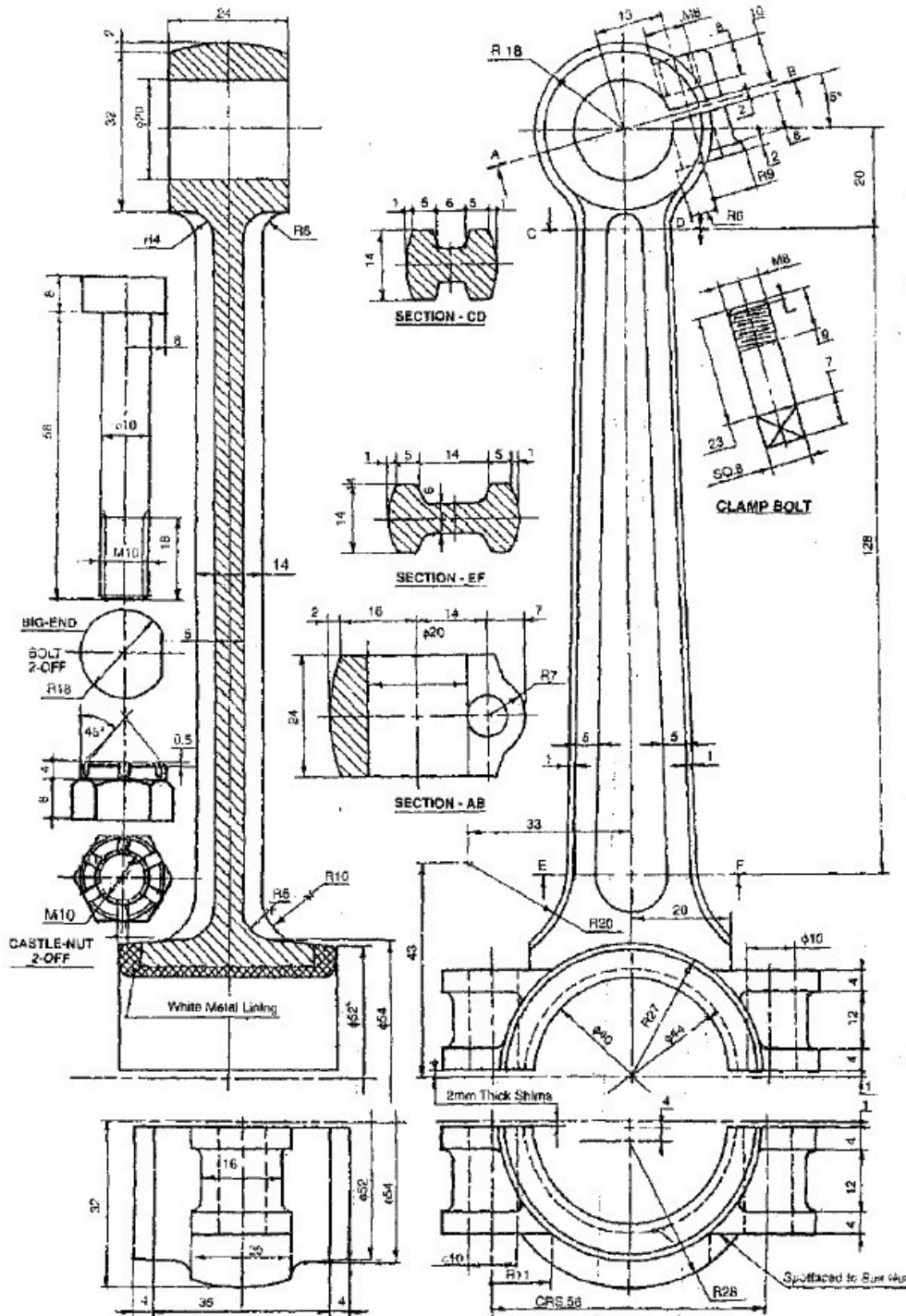


FIG.1

Q15. Draw the following views of a plummer block as shown in Fig. 2 : (30)

- a) Elevation left half in section.
- b) Plan left half in section.

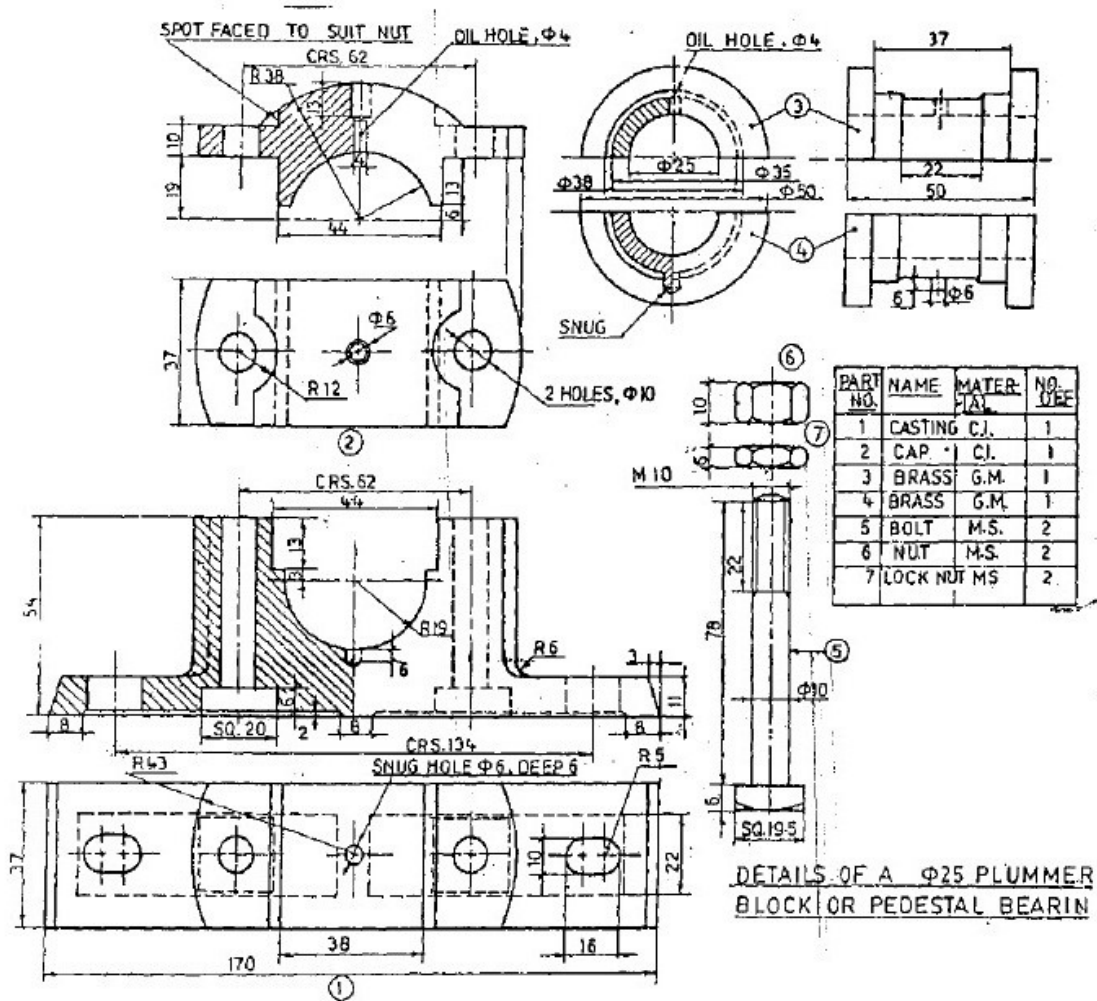


FIG.2

NOTE : Disclosure of Identity by writing Mobile No. or Making of passing request on any page of Answer Sheet will lead to UMC against the Student.