

Code: R7100208

R07

B.Tech I Year (R07) Supplementary Examinations, June 2013

ENGINEERING DRAWING

(Common to EEE, ECE, CSE, EIE, IT, E.Con.E, ECC, CSS and BT)

Time: 3 hours

Max. Marks: 80

Answer any FIVE questions
All questions carry equal marks

- 1 Construct a hypocycloid, taking the diameter of the generating circle and radius of directing circle as 60 mm.
- 2 Draw the projections of a line AB, 90 mm long its midpoint M being 50 mm above the HP and 40 mm in front of the VP. The end A is 20 mm above the HP and 10 mm in front of the VP. Show the traces and inclinations of the line with the HP and the VP.
- 3 A regular hexagon of 40 mm side has a corner in the HP. Its surface is inclined at 45° to the HP and the top view of the diagonal through the corner which is in the HP makes an angle of 60° with the VP. Draw its projections.
- 4 Draw the projections of a cone, base 45 mm diameter and axis 50 mm long, when it is resting on the ground on a point on its base circle with the axis making an angle of 30° with the HP and 45° with the VP.
- 5 A square pyramid of 2 cm side height 4 cm is placed centrally on the top of a cylinder of 40 mm diameter and height 60 mm. Draw the isometric projection of the compound solids.
- 6 The vertex of the hyperbola is 65 mm from its focus. Draw the curve if the eccentricity is $\frac{3}{2}$. Draw also a tangent and normal at any point on the curve.

Contd. in Page 2

R07

Code: R7100208

- 7 Draw the front view, top view and side view of the object shown in figure 1. All dimensions are in mm.

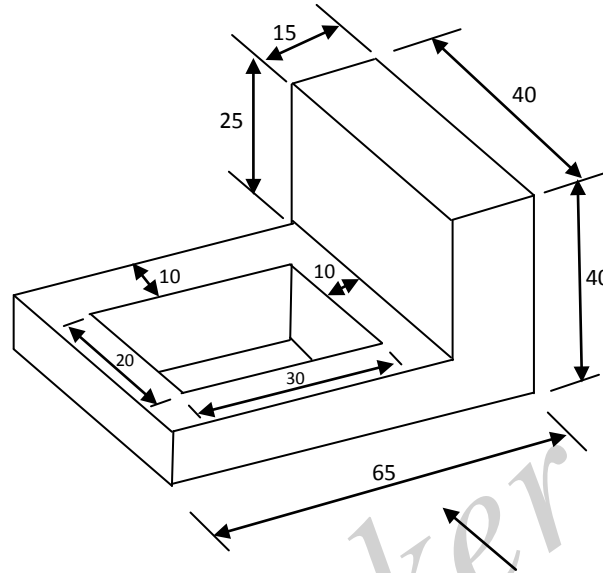


Figure:1

- 8 The orthographic views of an object are shown in figure 2. Draw the isometric view.

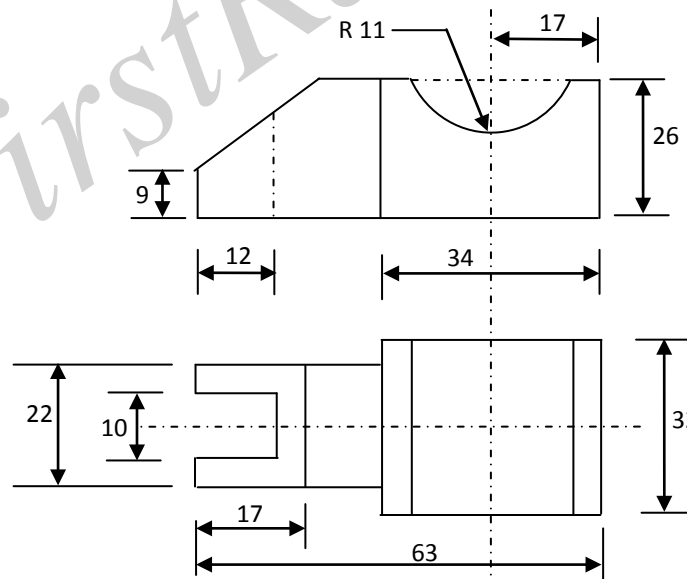


Figure:2
