

Code: 9A03303

R9

B.Tech II Year I Semester (R09) Supplementary Examinations, May 2013

MACHINE DRAWING
(Mechanical Engineering)

Time: 4 hours

Max Marks: 70

All answer should be on the drawing sheet only

Answers on the drawing sheet only will be valued

Section – I
(Answer any two)

2x4=08 M

- 1 Sketch the conventional representation of :
 - (a) Straight knurling.
 - (b) Splined shaft.
- 2 Prepare a specimen title block for use in class room by engineering students.
- 3 Sketch neatly with help of suitable sketches the methods of dimensioning.
 - (a) Circles.
 - (b) Area.
 - (c) Angler.
 - (d) Counter sinks.

Section – II
(Answer any two)

2x10=20 M

- 4 Draw the top view and sectional front view of a single riveted double cover buff joint. Take the diameter of the rivet = 24 mm.
- 5 Draw the front view, top view and side view of a hexagonal bolt 24 mm diameter and 96 mm long with a hexagonal nut and a washer.
- 6 Draw the following views of solid journal bearing:
 - (a) Front view – right half in section.
 - (b) Top view.

Section – III

1x42=42 M

- 7 Figure shows the details of a eccentric. Assemble the parts and draw the following views:
 - (a) Front view – upper half in section.
 - (b) Top view.

Contd. in Page 2

Code: 9A03303

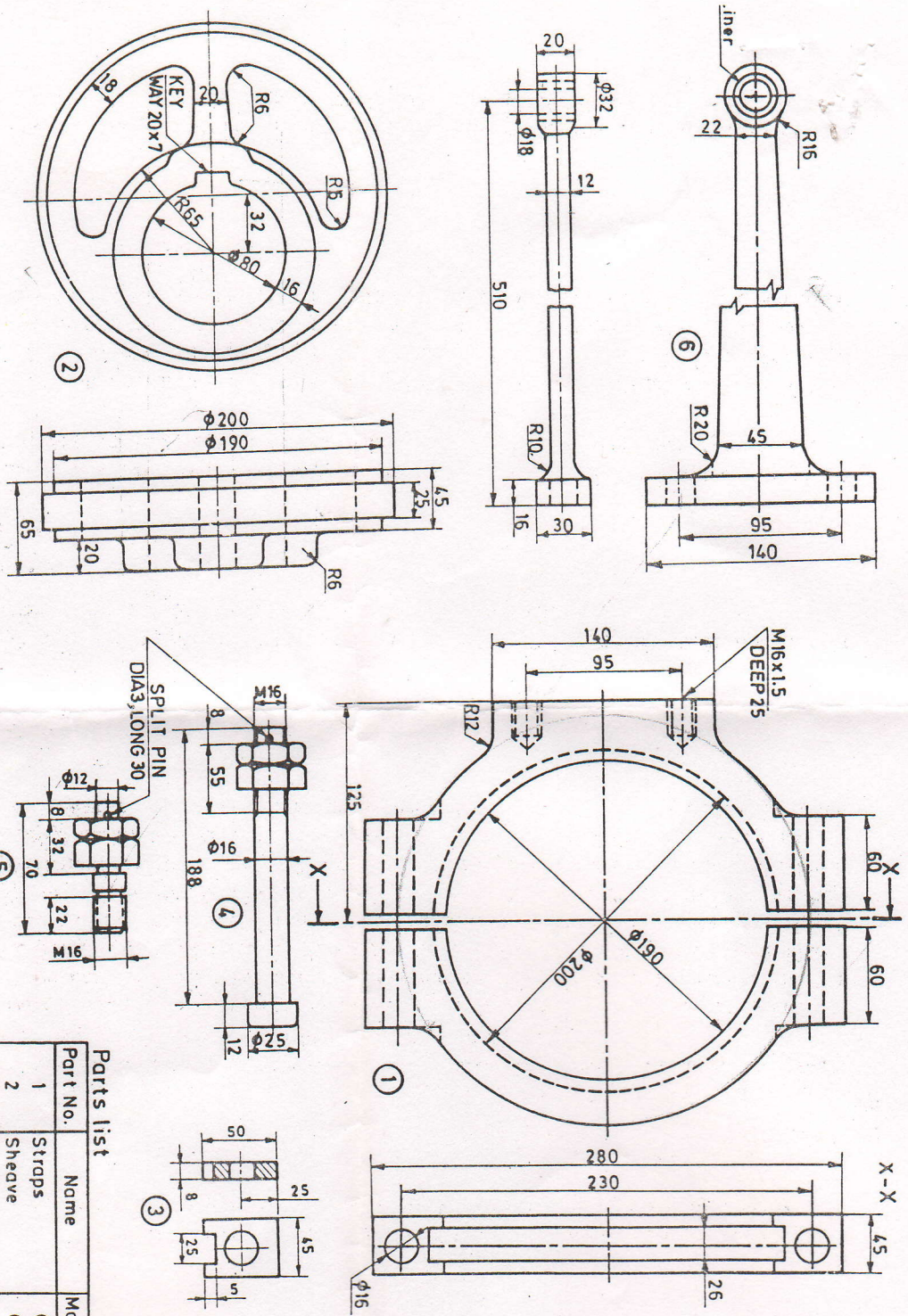


Fig. Details of Eccentric

Parts list

Part No.	Name	Matl	Qty
1	Straps	C I	2
2	Sheave	C I	1
3	Packing strip	Leather	2
4	Strap bolt	M S	2
5	Stud with nut	M S	2
6	Eccentric rod	Forged steel	1
