

R07

Code: R7220305

B.Tech II Year II Semester (R07) Supplementary Examinations, April/May 2013

MACHINE DRAWING
(Mechanical Engineering)

Time: 3 hours

Max. Marks: 80

Part – A

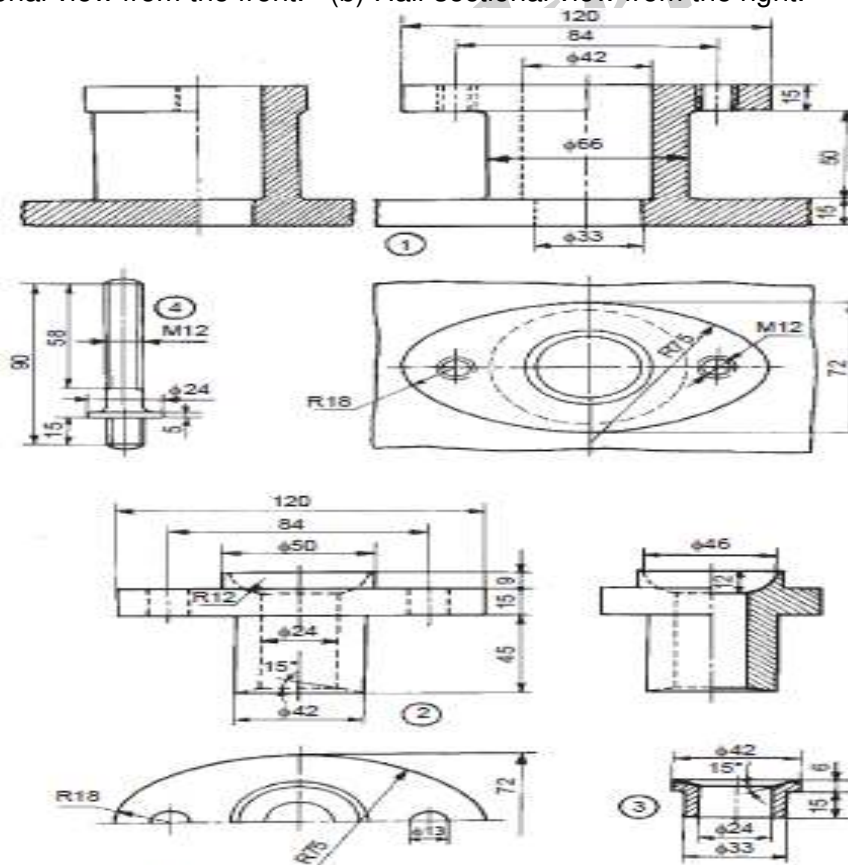
Answer any two questions (2 x 10 = 20 Marks)

- Draw the following screw thread forms:
(a) Square thread (internal). (ii) BSW thread.
- Draw half sectional front view and side view of a foot step bearing for 40 mm diameter.
- Draw the sectional front view and top view of the double riveted lap joint with Zig-Zag riveting, to join plates of thickness 12 mm.

Part – B

Compulsory Question (60 Marks)

- Draw the following assembled views of a stuffing box shown in figure
(a) Half sectional view from the front. (b) Half sectional view from the right.



Parts list

Part No.	Name	Matt	Qty
1	Body	CI	1
2	Gland	Brass	1
3	Bush	Brass	1
4	Stud	MS	2
5	Nut, M12	MS	2
